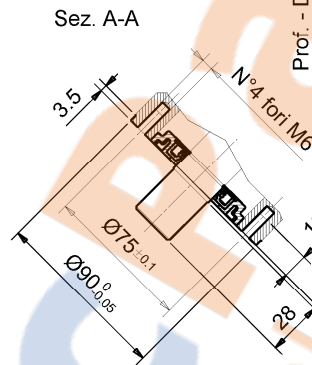
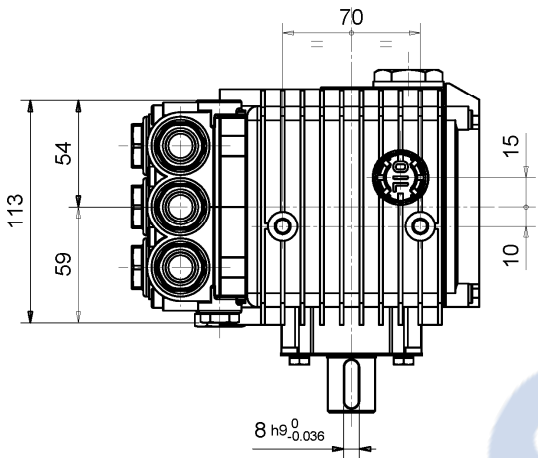
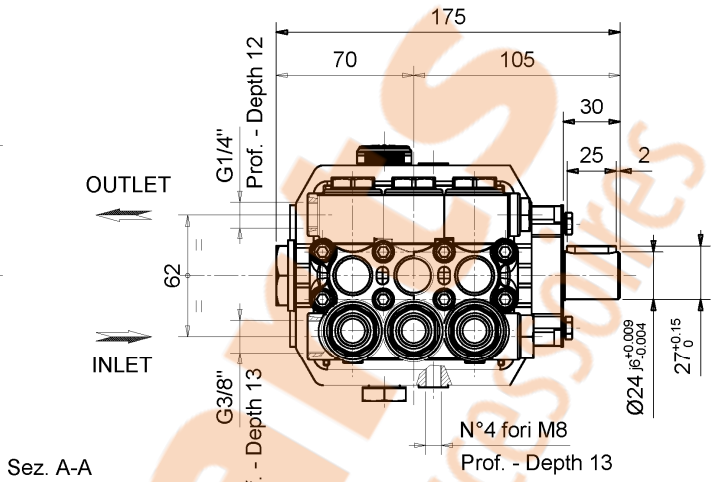
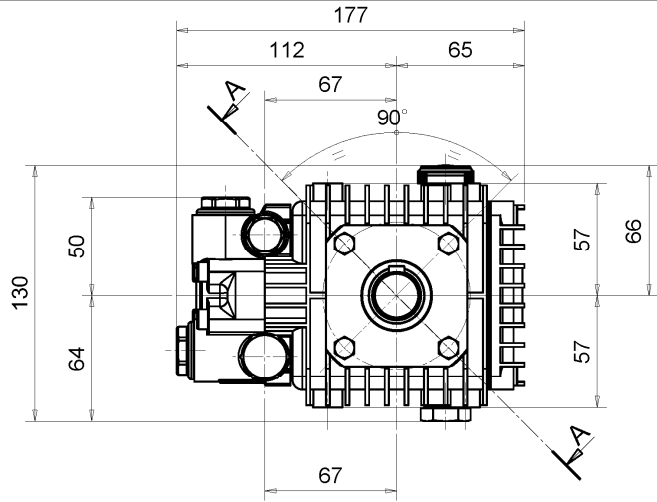
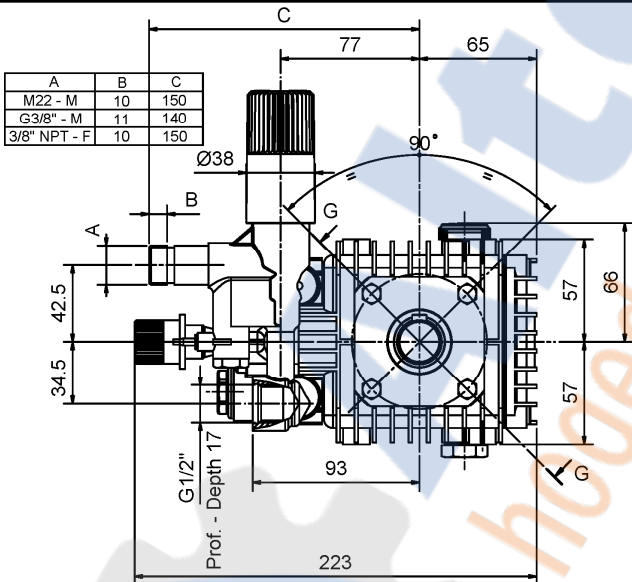


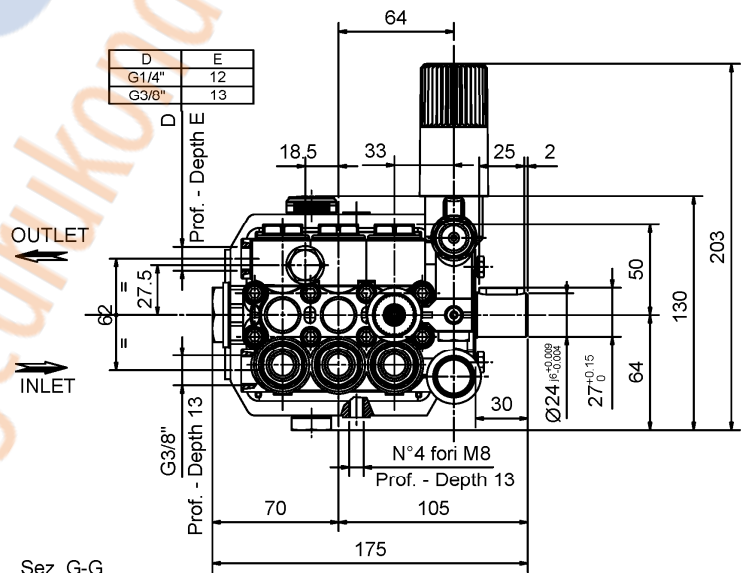
**DIMENSIONI D'INGOMBRO – OVERALL DIMENSIONS – DIMENSIONS D'ENCOMBREMENT
RAUMBEDARF – DIMENSIONES TOTALES – DIMENSÕES**



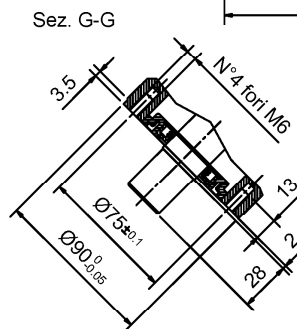
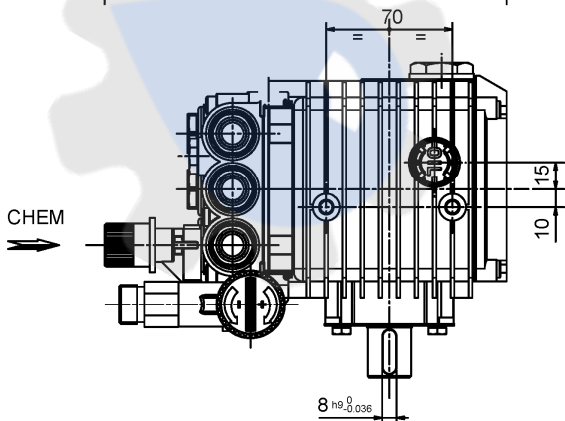
COD. DIS. 51.2145.00



A	B	C
M22 - M	10	150
G3/8" - M	11	140
3/8" NPT - F	10	150



D	E
G1/4"	12
G3/8"	13



COD. DIS. 51.2149.00

VH VALVE